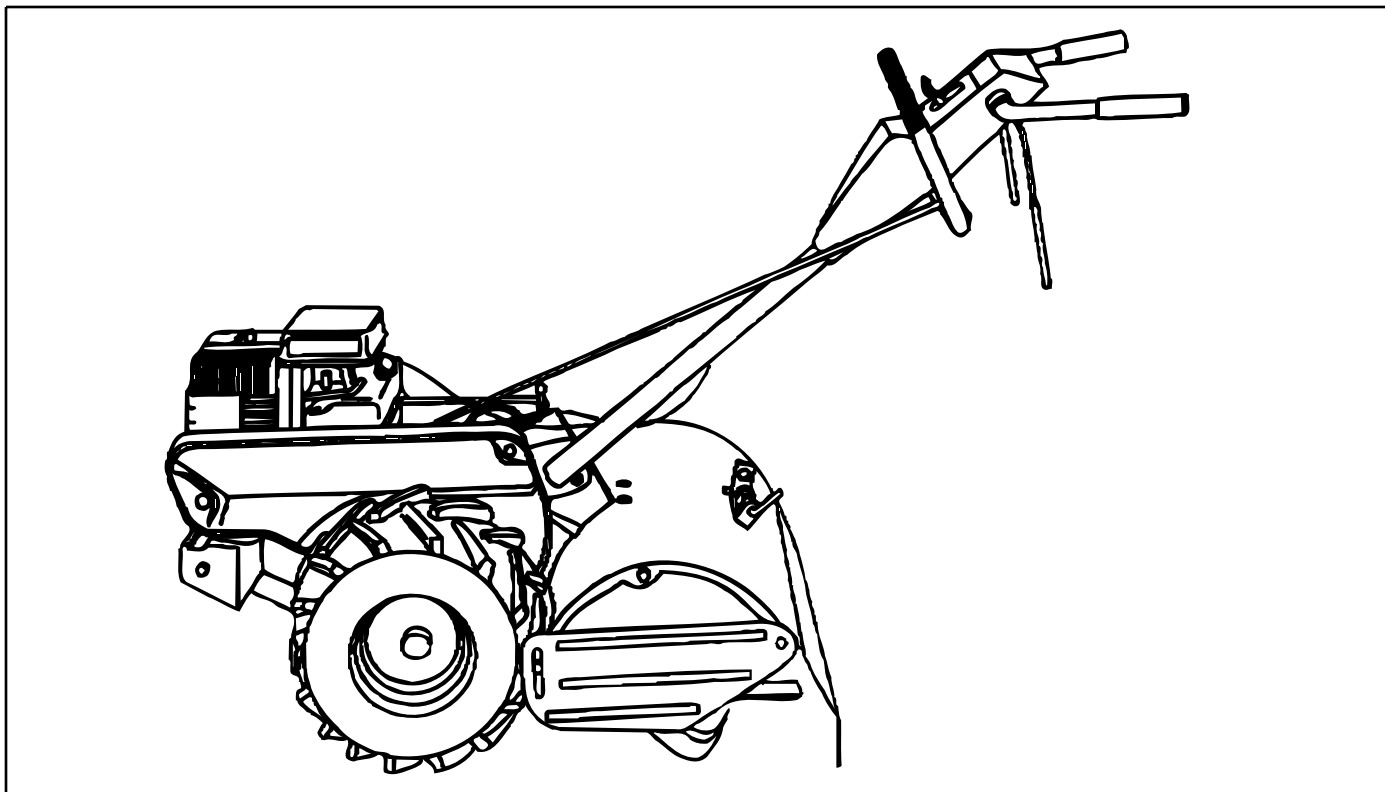


# CRT 61

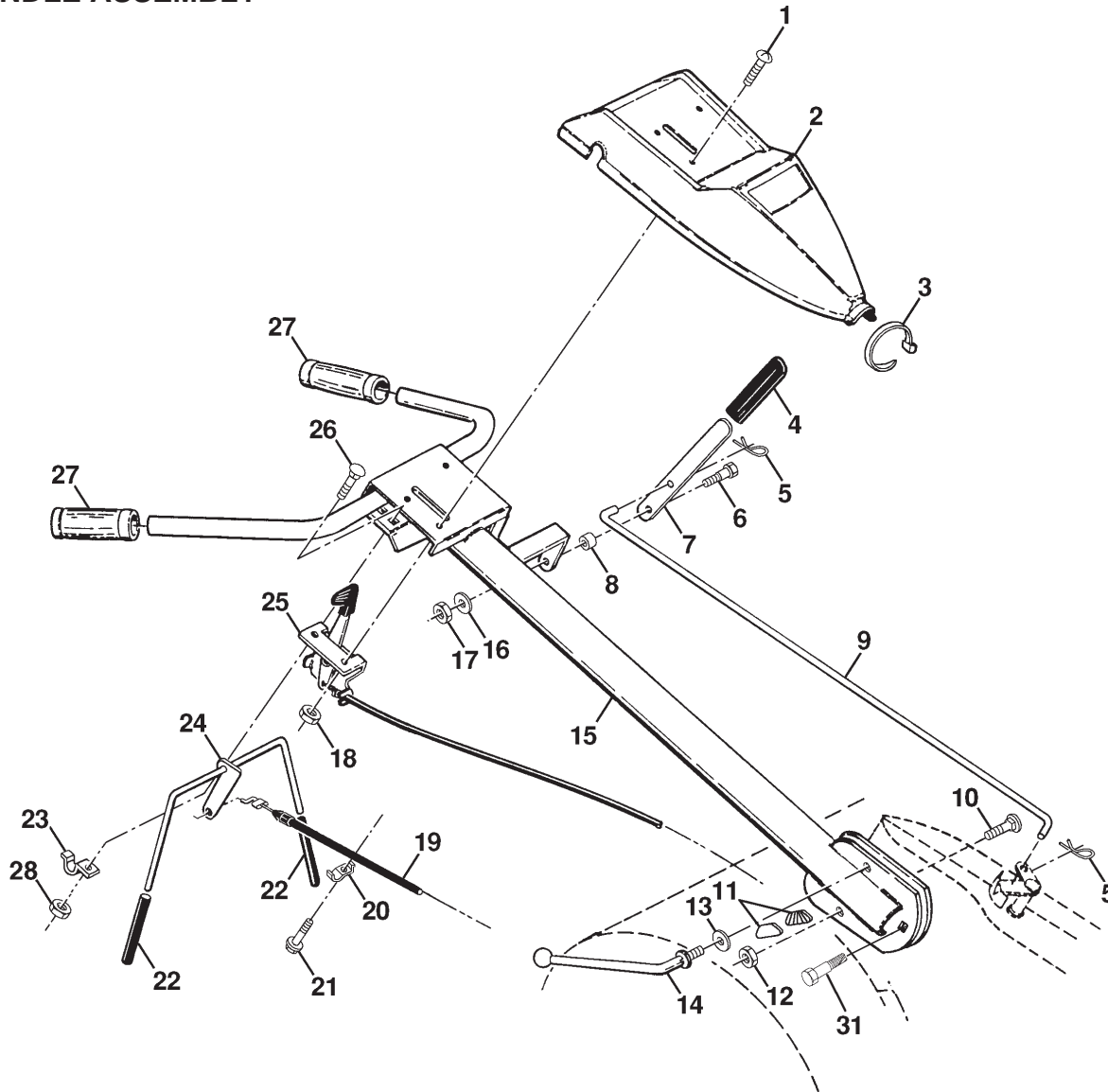


## **1.1997** **Spare Parts**

# REPAIR PARTS

## TILLER - MODEL NO. CRT61 (954140022A)

### HANDLE ASSEMBLY



KEY NO.	PART NO.	DESCRIPTION
1	871191008	Screw, Phd. #10-24 UNC
2	532126956	Panel, Control
3	532104164	Tie, Cable
4	532124797	Grip, Handle
5	532124788	Clip, Hairpin
6	532081328	Bolt, Shoulder
7	532109335	Handle, Shift
8	532109313	Grommet, Rubber
9	532109337	Rod, Shift
10	872110608	Bolt, Carriage 3/8-16 x 1 Gr. 5
11	532109229	Lock, Handle
12	873930600	Nut, Centerlock 3/8-16
13	819131611	Washer 13/32 x 1 x 11 Ga.
14	532109228	Lever, Lock, Handle
15	532151596	Handle
16	810040400	Washer, Lock 1/4

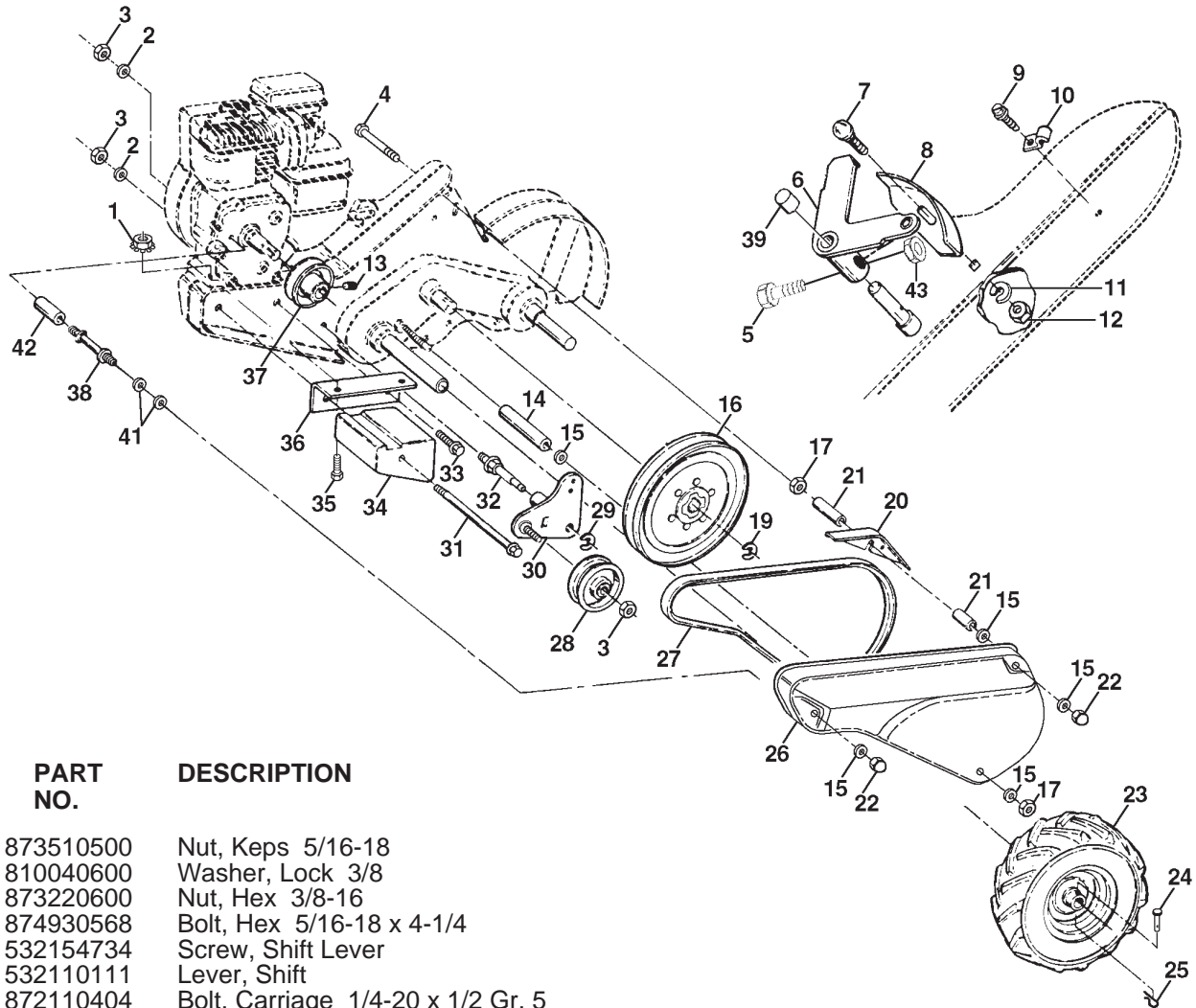
KEY NO.	PART NO.	DESCRIPTION
17	873220400	Nut, Hex 1/4-20
18	873731000	Nut, Keps #10-24 UNC
19	532147668	Cable, Clutch
20	532009484	Clip
21	532086777	Screw, Hex Washer Hd. Slotted #10-24 x 1/2
22	532102604	Grip, Bar, Control
23	532102744	Clamp, Bar, Control
24	532105216	Bar Assembly, Control
25	532127012	Control, Throttle
26	872140404	Bolt, Carriage 1/4-20 UNC x 1/2
27	532009266	Grip, Handle
28	873510400	Nut, keps 1/4-20
31	532150696	Bolt Pivot

**NOTE:** All component dimensions given in U.S. inches.  
1 inch = 25.4 mm

# REPAIR PARTS

## TILLER - MODEL NO. CRT61 (954140022A)

### MAINFRAME, LEFT SIDE



KEY NO.	PART NO.	DESCRIPTION
1	873510500	Nut, Keps 5/16-18
2	810040600	Washer, Lock 3/8
3	873220600	Nut, Hex 3/8-16
4	874930568	Bolt, Hex 5/16-18 x 4-1/4
5	532154734	Screw, Shift Lever
6	532110111	Lever, Shift
7	872110404	Bolt, Carriage 1/4-20 x 1/2 Gr. 5
8	532008700	Plate, Shift Indicator
9	532086777	Screw, Hex, Washer Head, Slotted #10-24 x 1/2
10	532009484	Clip
11	810040400	Washer, Lock 1/4
12	873220400	Nut, Hex 1/4-20
13	823230506	Screw, Set, Hex 5/16-18 x 3/8
14	532120938	Spacer, Split 0.327 x 0.42 x 2.68
15	819111116	Washer 11/32 x 11/16 x 16 Ga.
16	532145102	Sheave, Transmission
17	873220500	Nut, Hex 5/16-18
19	812000028	Retainer, Ring
20	532110653	Guard, Pinch Point
21	532145216	Spacer, Split 0.327 x 0.42 x 1.688
22	532104214	Nut, Cap 5/16-18
23	532005015	Tire
	532124366	Rim
	532124718	Tire Valve
24	532126875	Rivet, Drilled
25	532124788	Clip, Hairpin
26	532125339	Guard, Belt
27	532132801	Belt, V

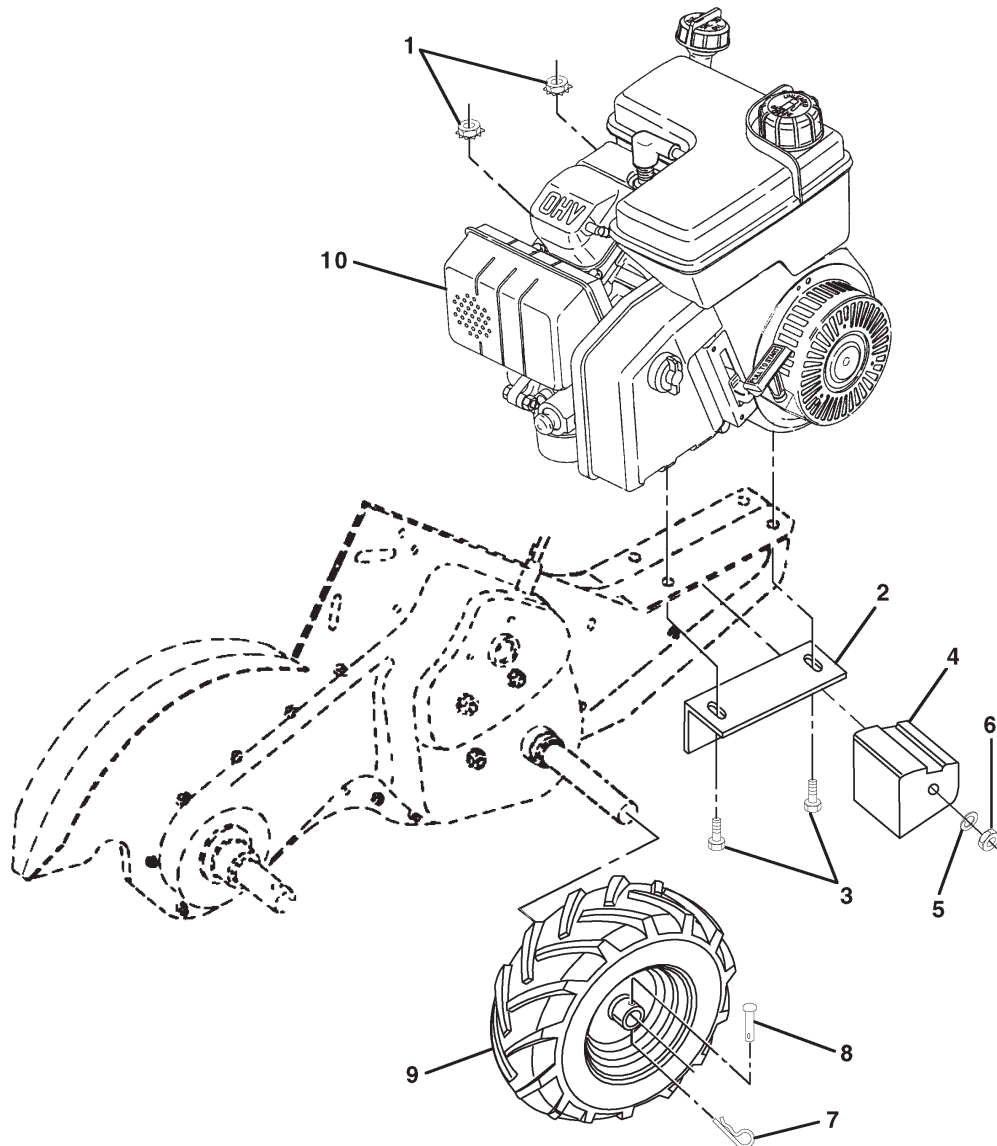
KEY NO.	PART NO.	DESCRIPTION
28	532104679	Pulley, Idler
29	812000032	Ring, Klip
30	532105611	Bracket, Idler
31	532102384	Bolt, Hex 5/16-16 x 12
32	532102141	Shaft, Idler Arm
33	874760616	Bolt, Hex 3/8-16 x 1
34	532102383	Counterweight, L. H.
35	874760524	Bolt, Hex 5/16-18 x 1 1/2
36	532102331	Bracket, Reinforcement, L. H.
37	532130812	Sheave, Engine
38	532145822	Stud, Belt Guard
39	532140062	Cap, Plunger Blk
41	819111610	Washer 11/32 x 1 x 10 Ga.
42	532151004	Spacer
43	532069180	Nut, Lock #10-24

**NOTE:** All component dimensions given in U.S. inches.  
1 inch = 25.4 mm

# REPAIR PARTS

## TILLER - MODEL N. CRT61 (954140022A)

### MAINFRAME, RIGHT SIDE



KEY NO.	PART NO.	DESCRIPTION
1	873510500	* Nut, Keps 5/16-18
2	532102332	Bracket, Reinforcement
3	874760524	Bolt, Hex 5/16-18 x 1-1/2
4	532102173	Counter Weight, R.H.
5	810040600	Washer, Lock 3/8
6	873220600	Nut, Hex 3/8-16
7	532124788	Clip, Hairpin

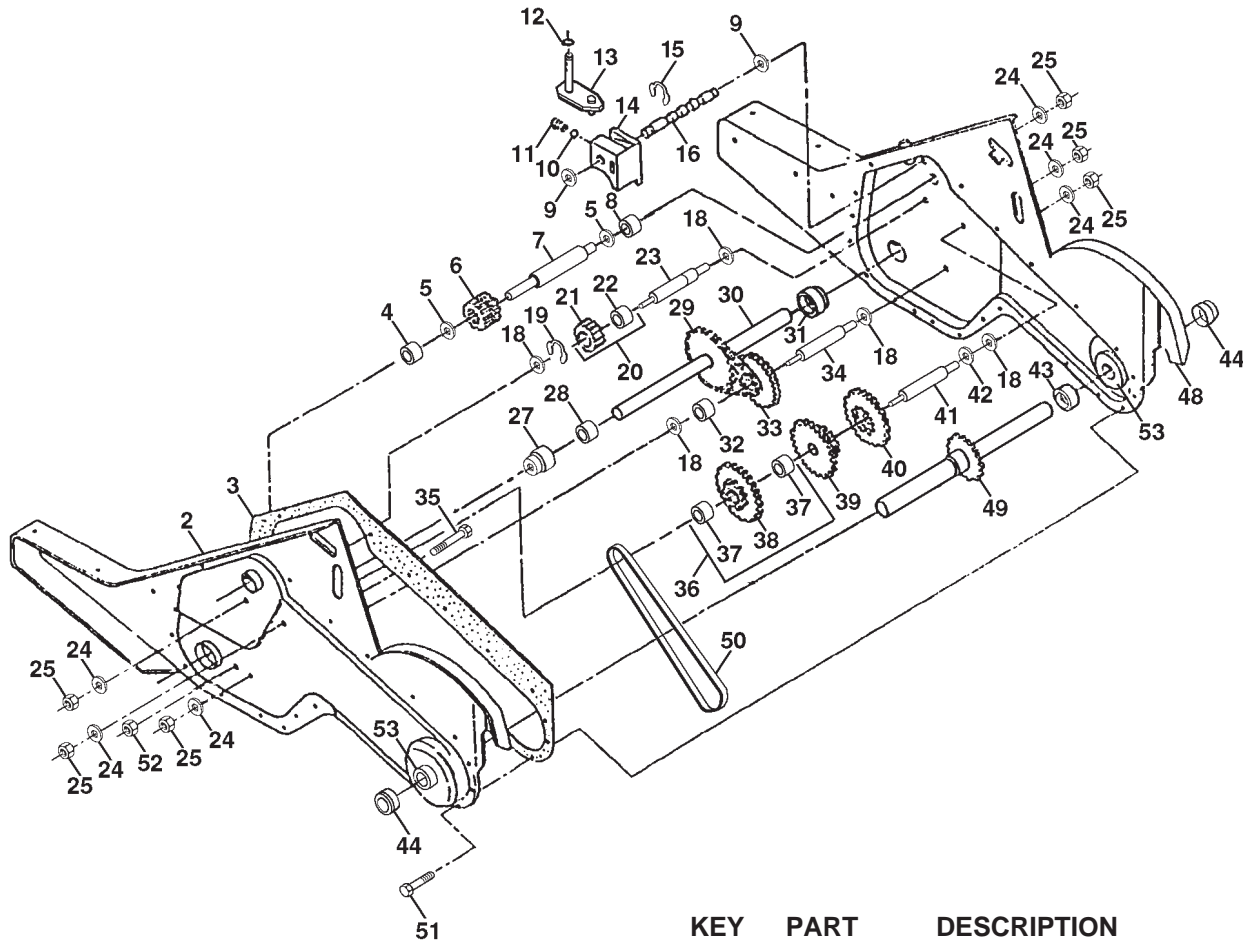
KEY NO.	PART NO.	DESCRIPTION
8	532126875	Rivet, Drilled
9	532005015	Tire
	532124366	Rim
	532124718	Tire Valve
10	-----	Engine, Briggs & Stratton Model No. OHH55-69001A

**NOTE:** All component dimensions given in U.S.inches.  
1 inch = 25.4 mm

# REPAIR PARTS

## TILLER - MODEL NO. CRT61 (954140022A)

### TRANSMISSION



KEY NO.	PART NO.	DESCRIPTION
1	532154354	Transmission Assembly (Includes Key Nos. 2-53)
2	532150698	Gearcase, L.H. w/Bearing (Includes Key No. 4)
3	532106211	Gasket, Gearcase
4	532005020	Bearing, Needle
5	532001370	Washer, Thrust 5/8 x 1.10 x 1/32
6	532137335	Pinion, Input
7	532145101	Shaft, Input
8	532124792	Bearing, Needle
9	532154467	Washer, Seal
10	532124697	Ball, Steel
11	532100371	Spring, Shift, Fork
12	532106160	O-Ring
13	532142145	Arm, Shift
14	532008353	Fork, Shift
15	812000039	Ring, Klip
16	532154466	Shaft, Shift
18	532004358	Washer
19	812000040	Ring, Klip
20	532102114	Gear, Assembly, Reverse Idler (Includes Key Nos. 21 and 22)
21	532102115	Gear, Reverse Idler
22	532006803	Bearing, Needle
23	532102111	Shaft, Reverse Idler
24	810040700	Washer, Lock 7/16
25	873610700	Nut, Hex 7/16-20

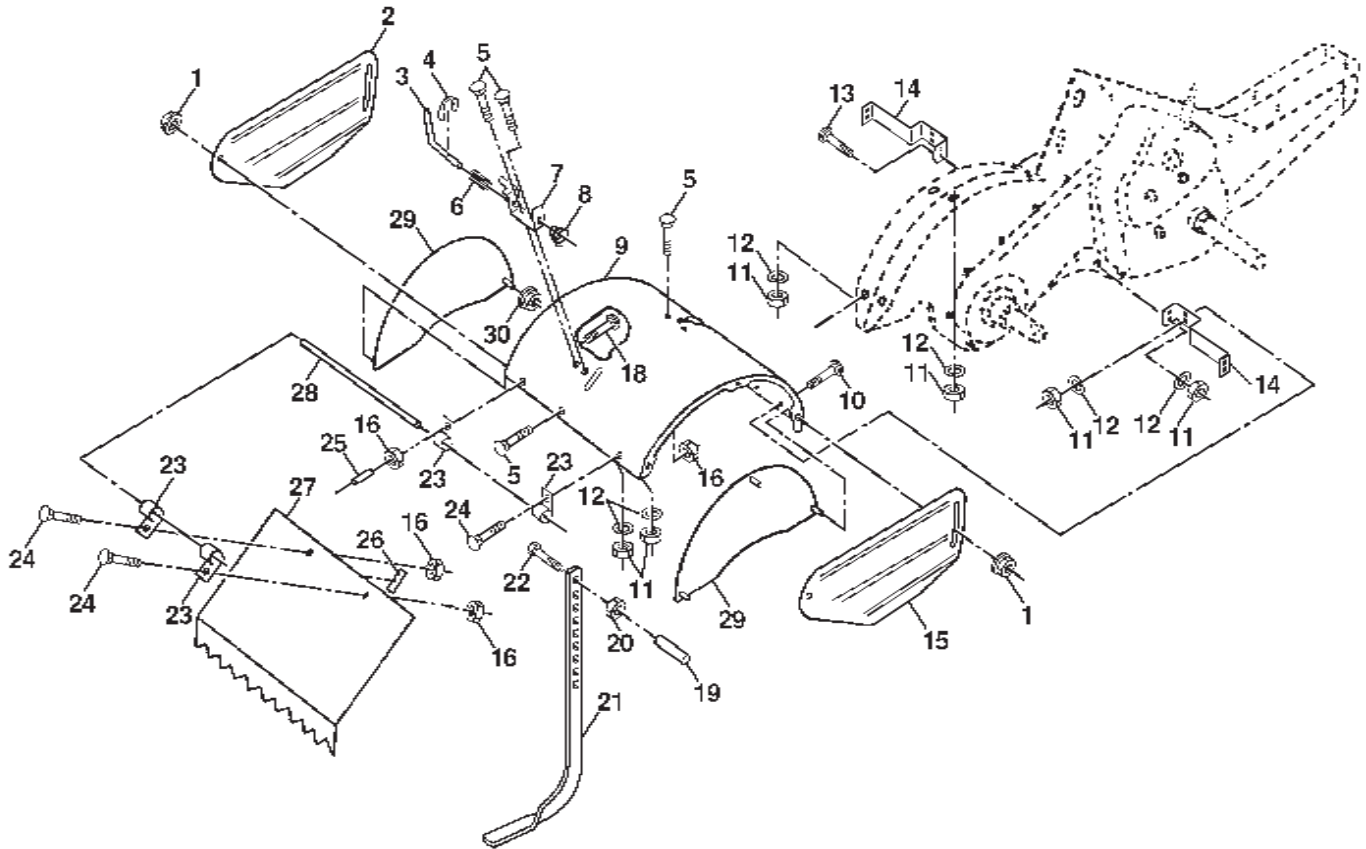
KEY NO.	PART NO.	DESCRIPTION
27	532143009	Bearing, Shaft, Ground Drive L.H.
28	532106390	Spacer 0.765 x 1.125 x 1.23
29	532102134	Chain #35-50 Pitch
30	532150737	Ground Shaft Assembly
31	532143008	Bearing, Shaft, Ground Drive R.H.
32	532106388	Spacer 0.70 x 1.00 x 1.150
33	532102121	Sprocket and Gear Assembly
34	532102112	Shaft, Reduction (2nd)
35	532102101	Screw, Whiz, Lock 5/16-18 x 3-1/2
36	532154355	Sprocket Assembly w/Bearing (Includes Key Nos. 37 and 38)
37	532124791	Bearing, Needle
38	532154356	Sprocket, Tine
39	532105345	Gear, Cluster, Red 1st & 2nd
40	532105346	Gear, Reverse
41	532008358	Shaft, Reduction (1st)
42	532004220	Washer, Thrust
43	532106146	Spacer 1.01 x 1.75 x 0.760
44	532155236	Seal, Asm. Oil
48	532150700	Gearcase, R.H. w/Bearing (Includes Key No. 8)
49	532132688	Shaft, Tine
50	532106147	Chain, Roller #50-50 Pitch
51	817720408	Screw 1/4-20 x 1/2
52	873220500	Nut, Hex 5/16-18
53	532122204	Kit, Bearing
--	532006066	Grease, Plastilube #1

**NOTE:** All component dimensions given in U.S. inches.  
1 inch = 25.4 mm

# REPAIR PARTS

## TILLER - MODEL NO. CRT61 (954140022A)

### TINE SHIELD



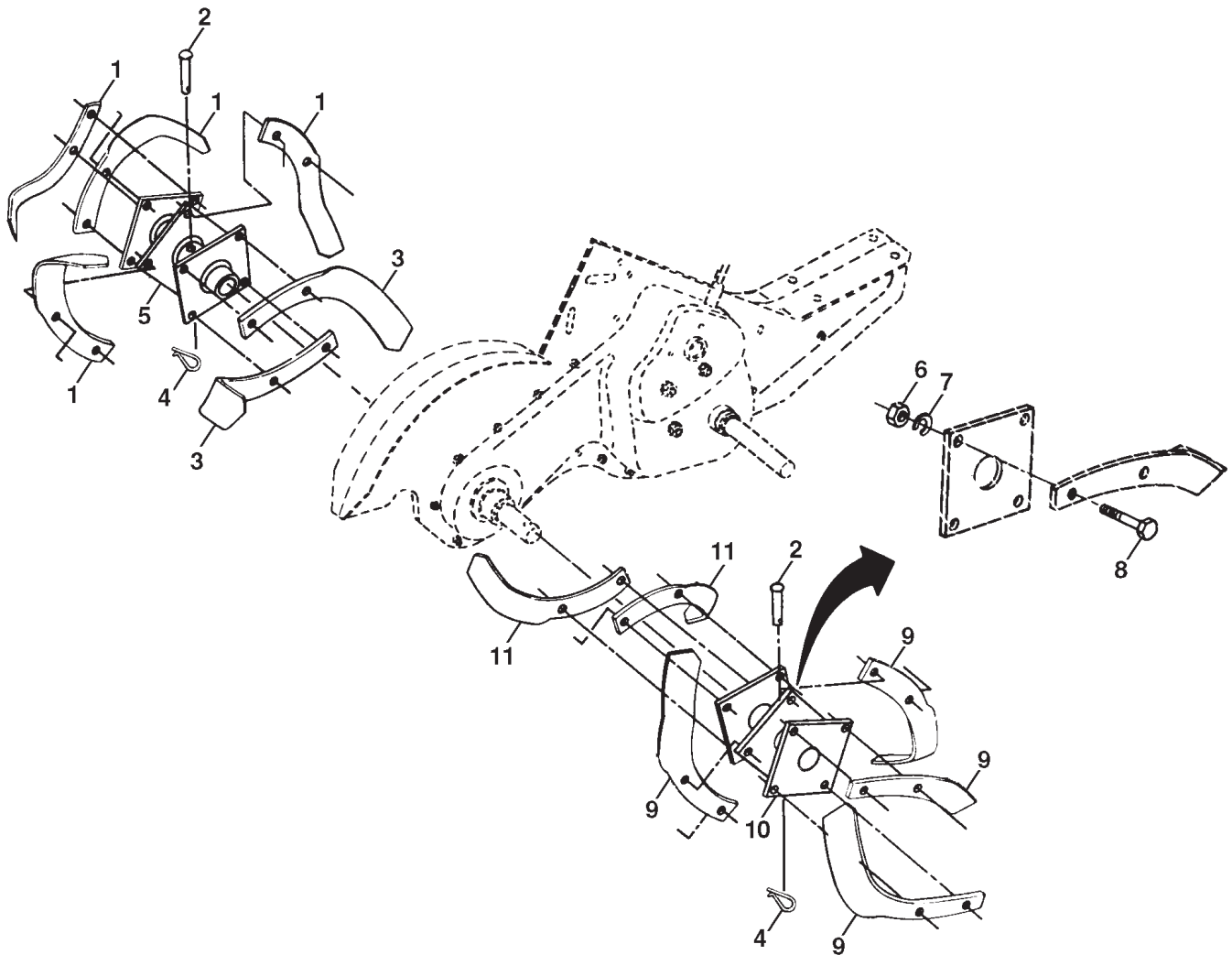
KEY NO.	PART NO.	DESCRIPTION	KEY NO.	PART NO.	DESCRIPTION
1	898000129	Nut, Flange 5/16-18	18	872040410	Bolt, Carriage 1/4-20 x 1-1/4 Gr. 5
2	532125012	Shield, Side, Outer L. H.	19	532102701	Grip
3	532008393	Pin, Stake, Depth	20	873220600	Nut, Hex 3/8-16
4	812000036	Ring, Klip	21	532102156	Stake, Depth
5	872140506	Bolt, Carriage 5/16-18 x 3/4 Gr. 5	22	874930632	Bolt, Hex 3/8-16 x 2
6	532008394	Spring	23	532004440	Hinge
7	532008392	Bracket, Latch	24	872140404	Bolt, Carriage 1/4-20 x 1/2 Gr. 5
8	532109230	Spring, Depth Stake	25	532124717	Cap, Vinyl
9	532142292	Shield, Tine	26	532109227	Pad, Idler
10	872140508	Bolt, Carriage 5/16-18 UNC x 1	27	532125016	Shield, Leveling
11	873220500	Nut, Hex 5/16-18	28	532120588	Pin, Hinge
12	810040500	Washer, Lock 5/16	29	532142293	Shield, Side
13	872110510	Bolt, Carriage 5/16-18 x 1-1/4	30	873970500	Locknut, Flange 5/16-18
14	532124311	Bracket, Shield Tine			
15	532125015	Shield, Side, Outer R.H.			
16	73510400	Nut, Keps 1/4-20			

**NOTE:** All component dimensions given in U.S. inches.  
1 inch = 25.4 mm

# REPAIR PARTS

## TILLER - MODEL NO. CRT61 (954140022A)

### TINE ASSEMBLY



KEY NO.	PART NO.	DESCRIPTION
1	532004459	Tine, Outer, L.H.
2	532132673	Clevis Pin
3	532006554	Tine, Inner, L.H.
4	532124660	Clip, Hairpin
5	532132727	Assembly, Hub and Plate, L.H.
6	873610600	Nut, Hex 3/8-24
7	810040600	Washer, Lock 3/8

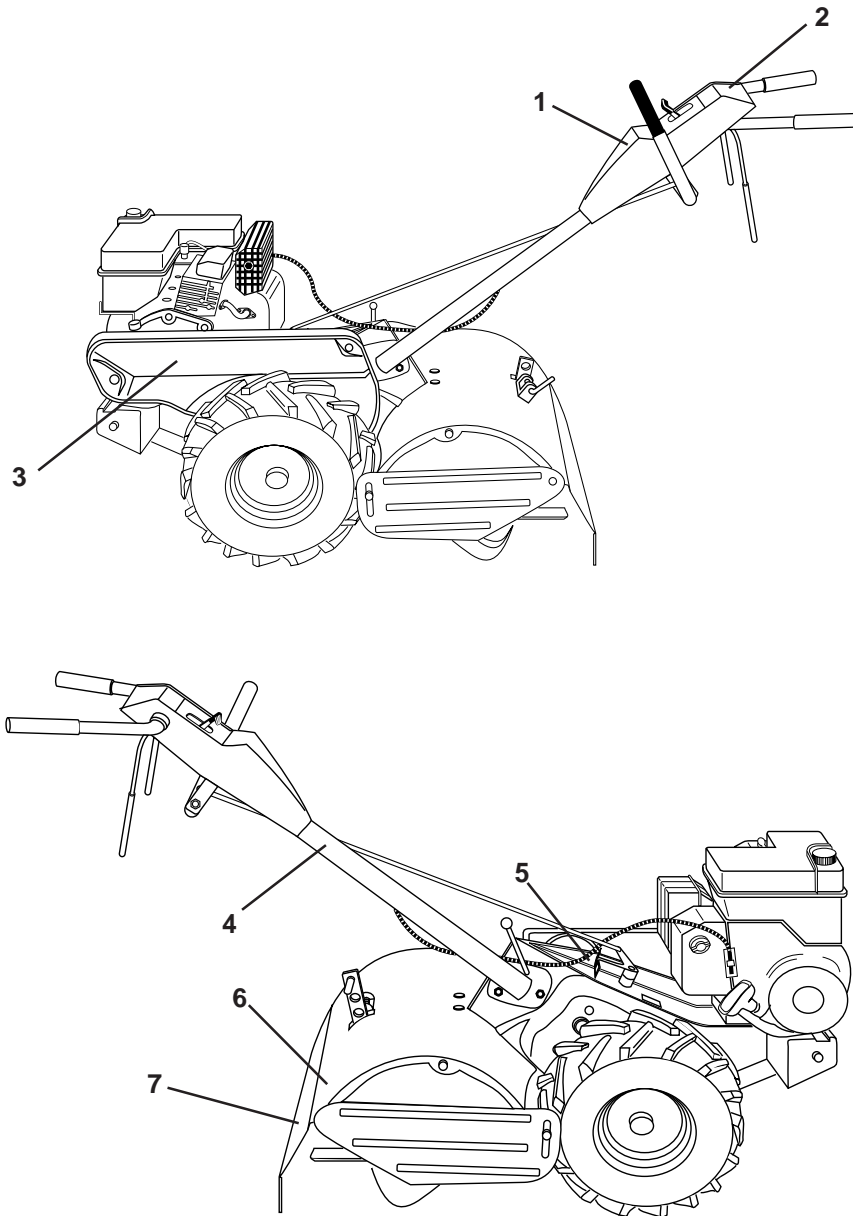
KEY NO.	PART NO.	DESCRIPTION
8	874610616	Bolt, Hex 3/8-24 x 1
9	532004460	Tine, Outer, R.H.
10	532132728	Assembly, Hub and Plate, R.H.
11	532006555	Tine, Inner, R.H.

**NOTE:** All component dimensions given in U.S. inches.  
1 inch = 25.4 mm

# REPAIR PARTS

## TILLER - MODEL NO. CRT61 (954140022A)

### DECALS



KEY NO.	PART NO.	DESCRIPTION
1	532155449	Decal, Logo
2	532155856	Decal, Logo
3	532157155	Decal, Logo
4	532110614	Decal, Hand Placement
5	532104323	Decal, Shift Indicator
6	532110612	Decal, Caution
7	532120076	Decal, Warning, Rotating Tines
--	532157168	Manual, Owner's (English)
--	532157169	Manual, Owner's (French)